



SMARTSIDE®
TRIM & SIDING

**SHED PANEL 3/8"-7/16"
PRIMED PANEL SIDING**

GENERAL

- LP Shed Panel quality multi-purpose panels are designed for use as siding on sheds, barns, out buildings and other utility structures.
- Apply siding in a manner that prevents moisture intrusion and water buildup.
- All exposed wood substrate must be primed and painted in a manner that prevents moisture intrusion and water buildup.

STORAGE

- Store off the ground, on a flat surface, under a roof or separate waterproof covering.
- Keep siding clean and dry. Inspect prior to application.
- Allow siding to adjust to atmospheric conditions before application.

STUD SPACING

- When applying siding directly to framing members or on walls without structural sheathing, space studs no farther apart than the span rating indicated on the product trademark.
- Shed Panel 3/8" and 7/16" panel siding must be installed on 16" OC framing only.

MOISTURE

- Moisture control and moisture vapor control are critical elements of proper housing design. Check your local building codes for application procedures for handling moisture and moisture vapor in your area.
- As with all wood products, do not apply engineered wood siding to a structure having excessive moisture conditions such as drying concrete or plaster. If such conditions exist, the building should be well ventilated to allow it to dry prior to the application of the siding.
- Siding must not be applied to green or crooked structural framing members. Do not apply siding over rain-soaked or buckled sheathing materials.
- Gutters are recommended for control of roof water run off.
- Panels shall not be in contact with masonry. Minimum 4" ground clearance.

VAPOR RETARDER/WEATHER BARRIER

- Consult your local building code for details.
- LP will assume no responsibility for water penetration.

GAPS & SEALANTS

- Seal all gaps with a high-quality, non-hardening, paintable sealant with a minimum stated service life of 30 years. Follow the sealant manufacturer's instructions for application.

FLASHING, WINDOWS, DOORS & OPENINGS

- All openings must be properly sealed or flashed in a manner that prevents moisture intrusion or buildup. Several examples that accomplish this are shown on the following pages.

TRIM

- Trim and fascia must be applied in a manner that will not allow moisture intrusion or water buildup.

FINISHING INSTRUCTIONS

DO

- Priming all exposed wood substrates before painting is highly recommended.
- Paint all exposed siding surfaces including drip edges.
- Thoroughly paint the bottom edges of siding especially all cut ends next to the roof line.
- Apply paint as soon as possible and within 120 days of application.
- Follow the coating manufacturer's application and maintenance instructions.
- High-quality acrylic latex paint, specially formulated for use on wood and engineered wood substrates, is highly recommended. Semi-gloss or satin finish oil or alkyd paints are acceptable. For flat alkyd paint, please check with the coating manufacturers for their recommendations for use on composite wood siding.

NOT RECOMMENDED:

- Semi-transparent stain.
- Shake and shingle paints.
- Vinyl-based resin formulas such as vinyl acetate, PVA, vinyl acetate/acrylic copolymer paints.

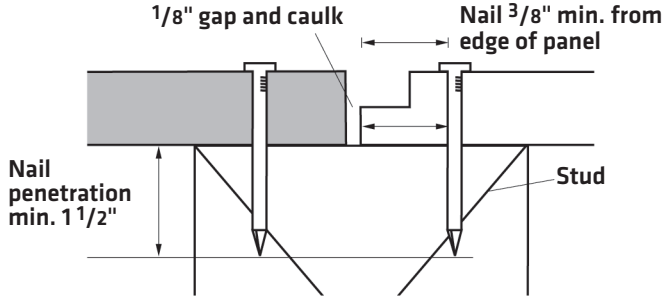


APPLICATION INSTRUCTIONS (CONT.)

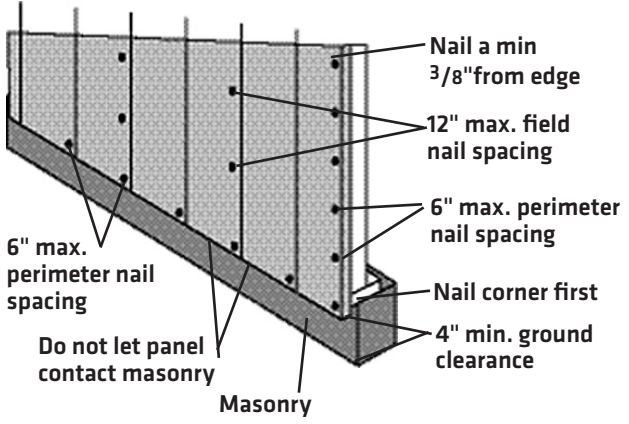
NAILING INSTRUCTIONS

Butt-Joint Design

- Use minimum 6d, corrosion resistant according to ASTM 641, box style nails.
- Penetrate studs or studs and wood sheathing a combined minimum of 1 1/2."

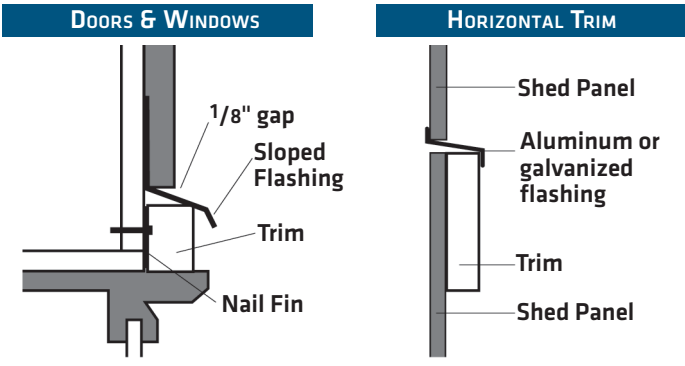


CAUTION



CONDITION	CORRECTION
Snug	OK
Flush	OK
Visible fiber	Paint
Countersunk 1/16" - 1/8"	Seal with caulking
Countersunk more than 1/8"	Seal with caulk and re nail

GAP, FLASH DOORS & WINDOWS



NOTE

IN HIGH MOISTURE CONDITIONS, SUCH AS THOSE ASSOCIATED WITH PACIFIC NORTHWEST, IT IS RECOMMENDED TO ACCLIMATE THE SIDING AT THE JOB SITE FOR 48 HOURS PRIOR TO INSTALLATION.

DEVIATION FROM LP® SHED PANEL APPLICATION INSTRUCTION REQUIREMENTS VOIDS LIMITED WARRANTY.

The Louisiana-Pacific Corporation ("LP") LP SmartSide Siding (the "Products") limited warranty (the "Warranty") applies only to structures on which the Products have been applied, finished and maintained in accordance with the published application, finishing and maintenance instructions in effect at the time of application. The failure to follow such application, finishing or maintenance instructions will void the Warranty as to the portion of the Products affected by the variance (the "Affected Products").

LP assumes no liability for any loss or damage sustained by the Affected Products and is expressly released by the purchaser or owner from any such loss or liability.

Any modification of the Warranty's application, finishing or maintenance requirements is void and unenforceable unless approved in writing prior to application by the Siding Business Manager or his designee and a member of the LP Legal Department.

For a copy of the warranty or for installation and technical support, visit the LP SmartSide product support Web site at:

www.lpcorp/smartside.com
or for additional support call 800.450.6106.

WARRANTY REMEDIES ARE NOT AVAILABLE IF REQUIREMENTS ARE NOT FOLLOWED.



© 2007 Louisiana-Pacific Corporation. All rights reserved. LP and SmartSide are registered trademarks of Louisiana-Pacific Corporation. Printed in U.S.A.

NOTE: Louisiana-Pacific Corporation periodically updates and revises its product information. To verify that this version is current, call 800-450-6106.

